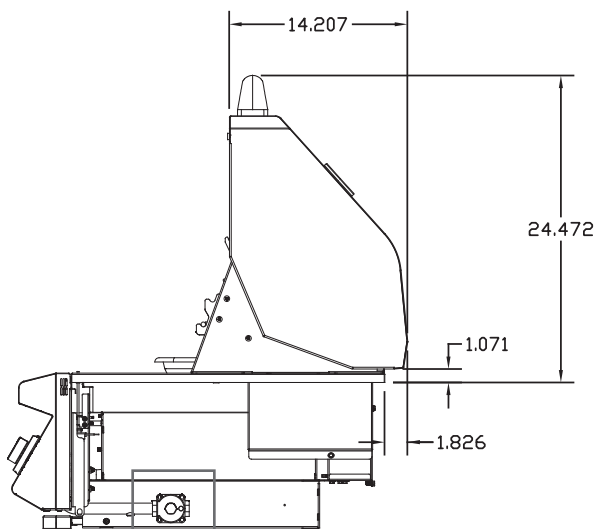
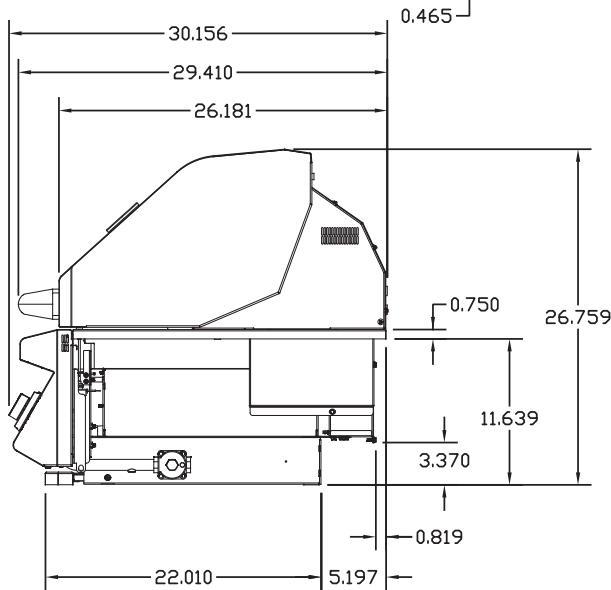
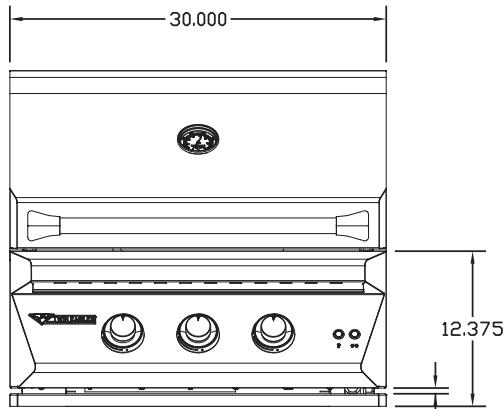


C SERIES 30

30 inch outdoor gas grill

Note: For detailed installation guide, refer to product manual



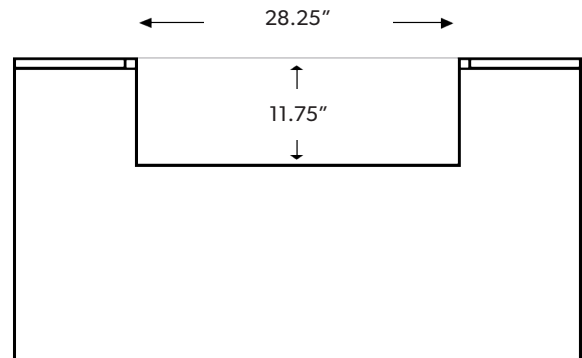
Gas Inlet

Box Dimensions
33 x 37 x 33 (inches)
Shipping Weight 237 lbs

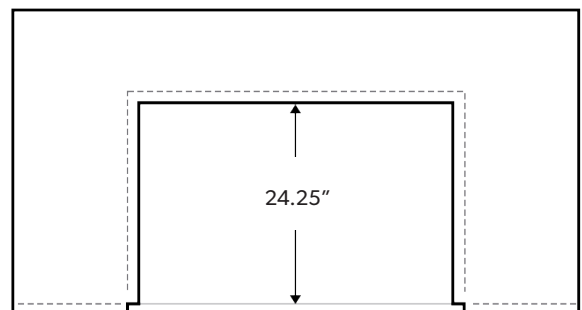
Specifications

GENERAL	Model C SERIES 30 SKU TEBQ30G-C/TEBQ30R-C/TEBQ30RS-C
POWER REQUIREMENTS	Electrical Supply 120V, 60Hz, 4A Electrical Service 15 amp dedicated circuit Power Cord Length 5 feet Receptacle 3 prong grounding plug
GAS REQUIREMENTS	Natural Gas or Liquid Propane Gas Supply 3/4" ID line Gas Inlet 1/2" NPT female Total BTU 50,000-64,000
CLEARANCE REQUIREMENTS	Combustible Requires Insulating Jacket and Minimum 12" all around Non-Combustible Minimum 2.5" from back, Minimum 6" on sides
CUTOUT DIMENSIONS	Opening Width 28.25 inch Opening Height 11.75 inch Opening Depth 24.25 inch

NON-COMBUSTIBLE INSTALLATION



Face View



Top View