



GAS CONVERSION KIT FROM NG TO LP, PN: CKLP-TESG24

**FOR MODELS: TWIN EAGLES SALAMANGRILL
(TESG24)**

1. All gas connections/conversions should be made by a qualified technician and in accordance with local codes and ordinances.
2. Before performing a conversion to a gas appliance, verify that the main gas is shut off and disconnected from the appliance.
3. Make sure that you have the Salamangrill NG Gas Conversion Kit as follows:

P/N	Description	Quantity
S15108-57	Orifice, # 57	1
S15344	Propane (LP) regulator with Hose	1
S18351	Conversion Gas Label	1

4. Remove the top panel by removing the (8x) screws along top sides with a Phillips screwdriver. (Fig. 1)
5. Remove the orifice 15108-50 with a 1/2" open end wrench. (see figure 2)
6. Replace with orifice 15108-57.

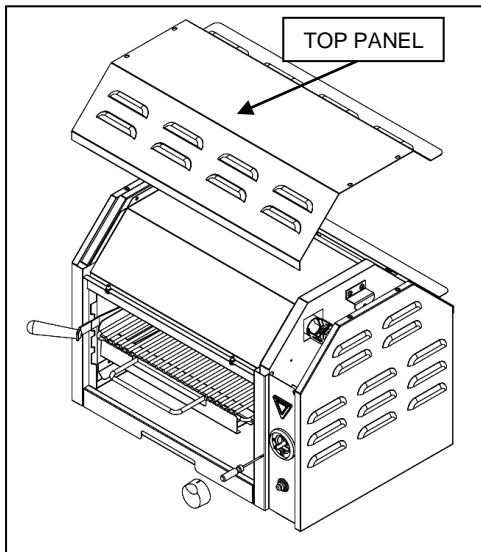


Fig. 1

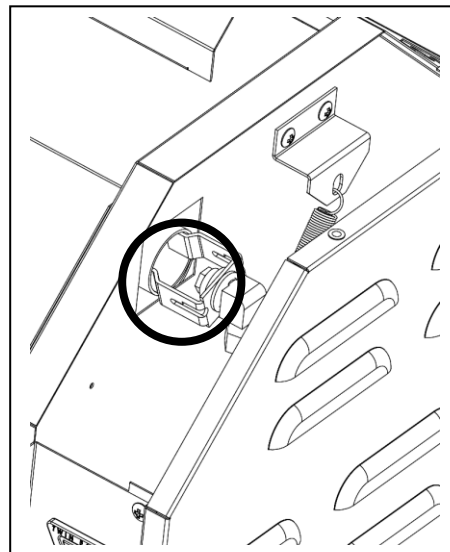
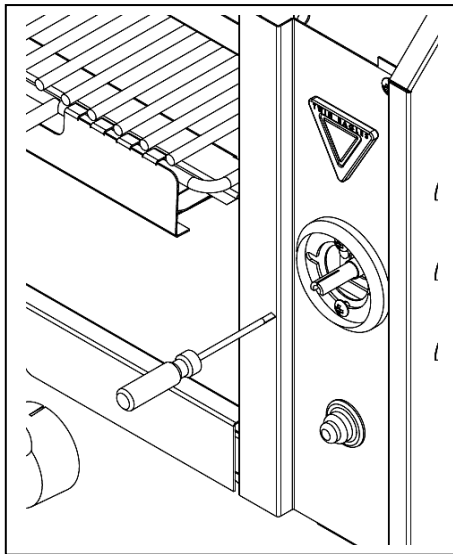


Fig. 2

7. Remove the Natural Gas (NG) regulator and Natural Gas (NG) hose regulator assembly.
8. Install the Propane (LP) regulator using a 3/4" open end wrench. **Note: Use appropriate gas sealant on all gas connections.**

9. **NEVER USE THE SIDE BURNER WITHOUT FIRST LEAK TESTING THE GAS CONNECTION.**
- a. Prepare a leak testing solution of soapy water by mixing in a spray bottle with half liquid soap and half water. **Note: NEVER use an open flame to test for leaks.**
 - b. Confirm that all control knobs are in the "OFF" position.
 - c. Turn the main gas valve supply "ON".
 - d. Apply leak testing solution by spraying on the pipe joints, fittings, and hose leading up to the unit.
 - e. A gas leak is detected if;
 - i. there is a faint gas smell and/or
 - ii. growing bubbles appear on any of the connection points and/or hose. **DO NOT** attempt to ignite the burner and **IMMEDIATELY** turn off the gas supply valve.
 - f. If a gas leak is detected, call a qualified service technician. **DO NOT** use the unit until the leak is corrected.
10. Turn on burner and warm up on high setting for ten minutes. Set burner to low setting and check for burner flame height. If the flames are too high for low setting or too low that they would not stay lit, adjust the low flame setting.
- a. To adjust low flame setting, pull the burner knob towards you. This will expose the valve stem.
 - b. Insert a flat, thin screw driver into the stem and turn the adjusting screw to the left to increase the flame or to the right to decrease the flame. **DO NOT OPEN THE SCREW TOO MUCH. THE SCREW COULD FALL OFF THE STEM AND CAUSE A LEAK.**



11. The conversion is complete. Fill out the Conversion Label and stick it next to the original Serial Plate located at the rear panel of the unit. Please refer back to the User's Manual.