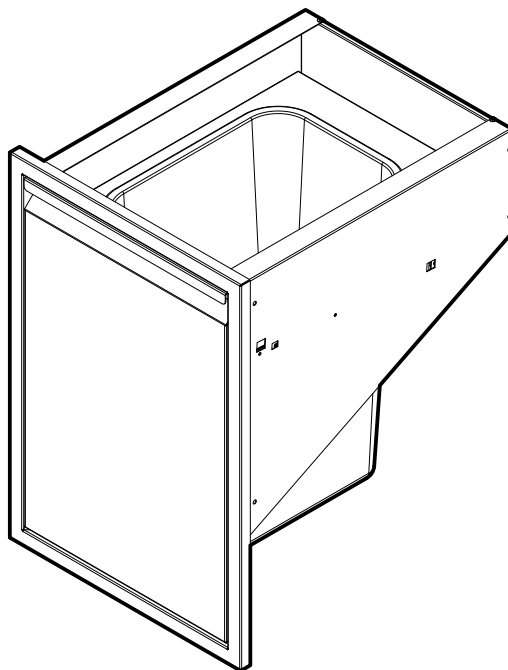




# TWIN EAGLES TALL TRASH DRAWER FEATURE SHEET



## TETD18T-B

### FEATURES:

- 304 Stainless Steel construction
- Heavy duty, 100 lbs capacity, full extension and removable slides
- High-polished, non-protruding drawer handle
- One-piece 18 gauge front frame
- Trash can INCLUDED
- Easy to install

### SPECIFICATIONS:

- Overall Dimensions:

	TETD18T-B
Height:	26.00"
Width:	18.00"
Depth:	21.50"
Ship Weight:	35 lbs
- Cutout Dimensions

	TETD18T-B
Height:	24.25"
Width:	16.50"
Depth:	n/a

#### WARNING

PROP. 65 FOR CALIFORNIA RESIDENTS  
Cancer and Reproductive Harm -- [www.P65Warnings.ca.gov](http://www.P65Warnings.ca.gov)

#### AVERTISSEMENT

PROP. 65 POUR LES RESIDENTS DE LA CALIFORNIE  
Cancer et Troubles de l'appareil Reproducteur -- [www.P65Warnings.ca.gov](http://www.P65Warnings.ca.gov)