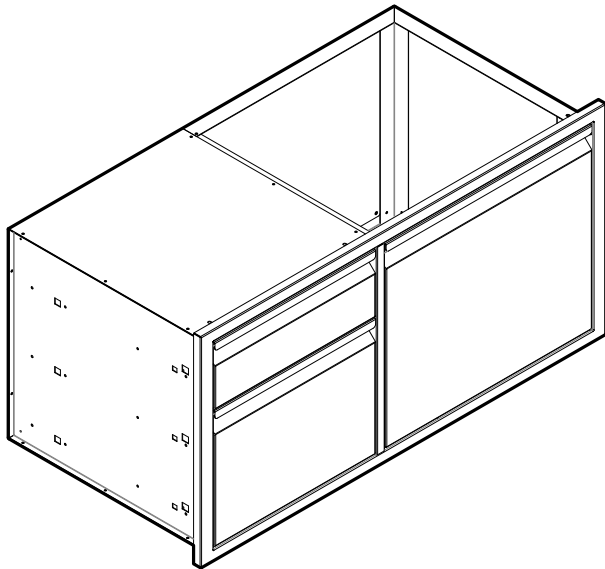
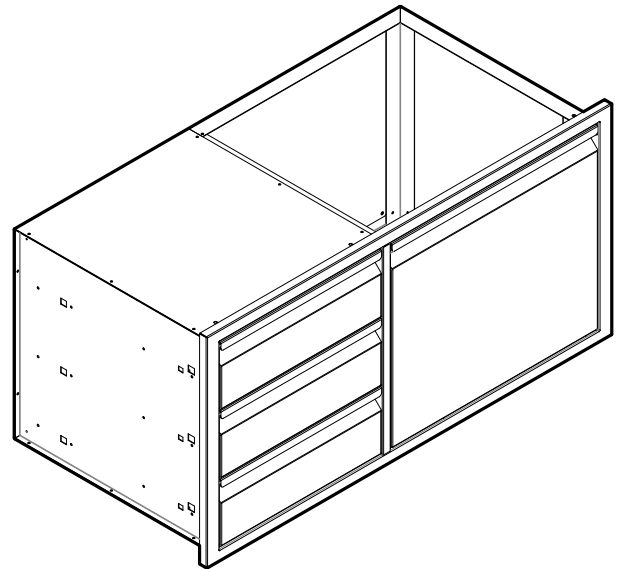




TWIN EAGLES 42" DRAWER DOOR COMBO FEATURE SHEET



TEDD422-B



TEDD423-B

FEATURES:

- 304 Stainless Steel construction
- Heavy duty, 100 lbs capacity, full extension and self closing removable slides
- SOFT closing doors with 3-way adjustable and concealed hinges
- Double walled doors with welded inside liners
- Non-protruding flush drawer and door handle design with hi-polished accents
- One-piece 18 gauge front frame
- Extra large drawers
- Easy to install

SPECIFICATIONS:

- Overall Dimensions:

	TEDD422-B	TEDD423-B
Height:	20.75"	20.75"
Width:	42.00"	42.00"
Depth:	20.75"	20.75"
Ship Weight:	85 lbs	90 lbs
- Cutout Dimensions

Height:	19.00"	19.00"
Width:	40.25"	40.25"
Depth:	n/a	n/a

WARNING

PROP. 65 FOR CALIFORNIA RESIDENTS
Cancer and Reproductive Harm -- www.P65Warnings.ca.gov

AVERTISSEMENT

PROP. 65 POUR LES RESIDENTS DE LA CALIFORNIE
Cancer et Troubles de l'appareil Reproducteur -- www.P65Warnings.ca.gov