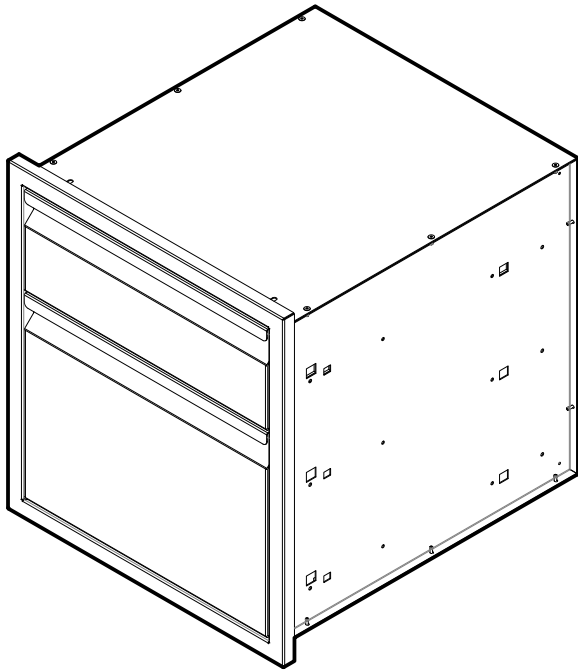
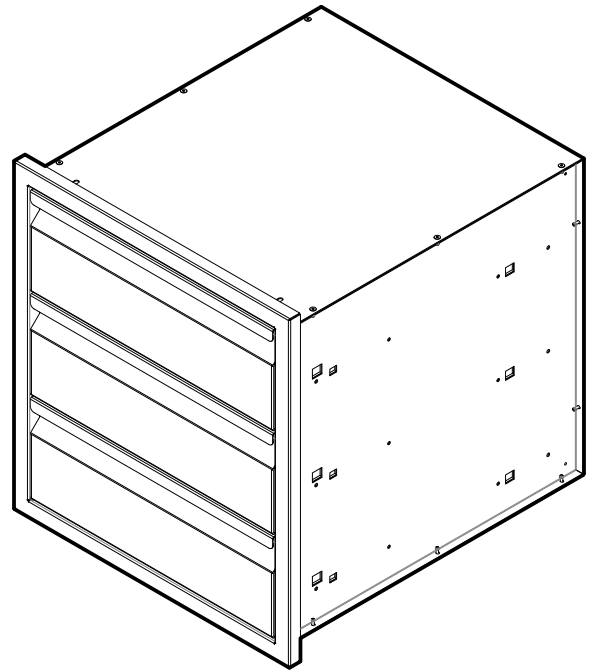




# TWIN EAGLES 19" STORAGE DRAWERS FEATURE SHEET



TESD192-B



TESD193-B

## FEATURES:

- 304 Stainless Steel construction
- Heavy duty, 100 lbs capacity, full extension, self-closing and removable slides
- Flush non-protruding handle design with high-polished accents
- One-piece mounting frame for precision alignment
- Extra deep drawers for oversized utensils
- Easy to install

## SPECIFICATIONS:

### Overall Dimensions:

	TESD192-B	TESD193-B
Height:	20.75"	20.75"
Width:	19.00"	19.00"
Depth:	20.75"	20.75"
Ship Weight:	40 lbs	45 lbs

### Cutout Dimensions

Height:	19.00"	19.00"
Width:	18.125"	18.125"
Depth:	n/a	n/a

### WARNING

PROP. 65 FOR CALIFORNIA RESIDENTS  
Cancer and Reproductive Harm -- [www.P65Warnings.ca.gov](http://www.P65Warnings.ca.gov)

### AVERTISSEMENT

PROP. 65 POUR LES RESIDENTS DE LA CALIFORNIE  
Cancer et Troubles de l'appareil Reproducteur -- [www.P65Warnings.ca.gov](http://www.P65Warnings.ca.gov)