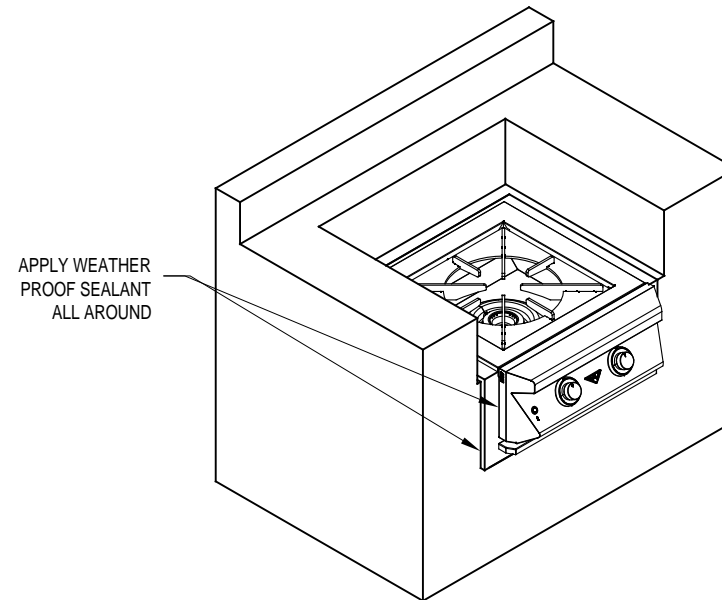
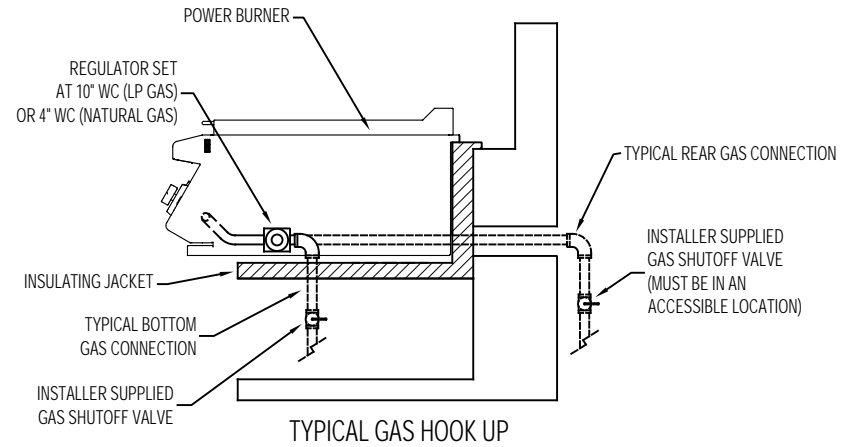
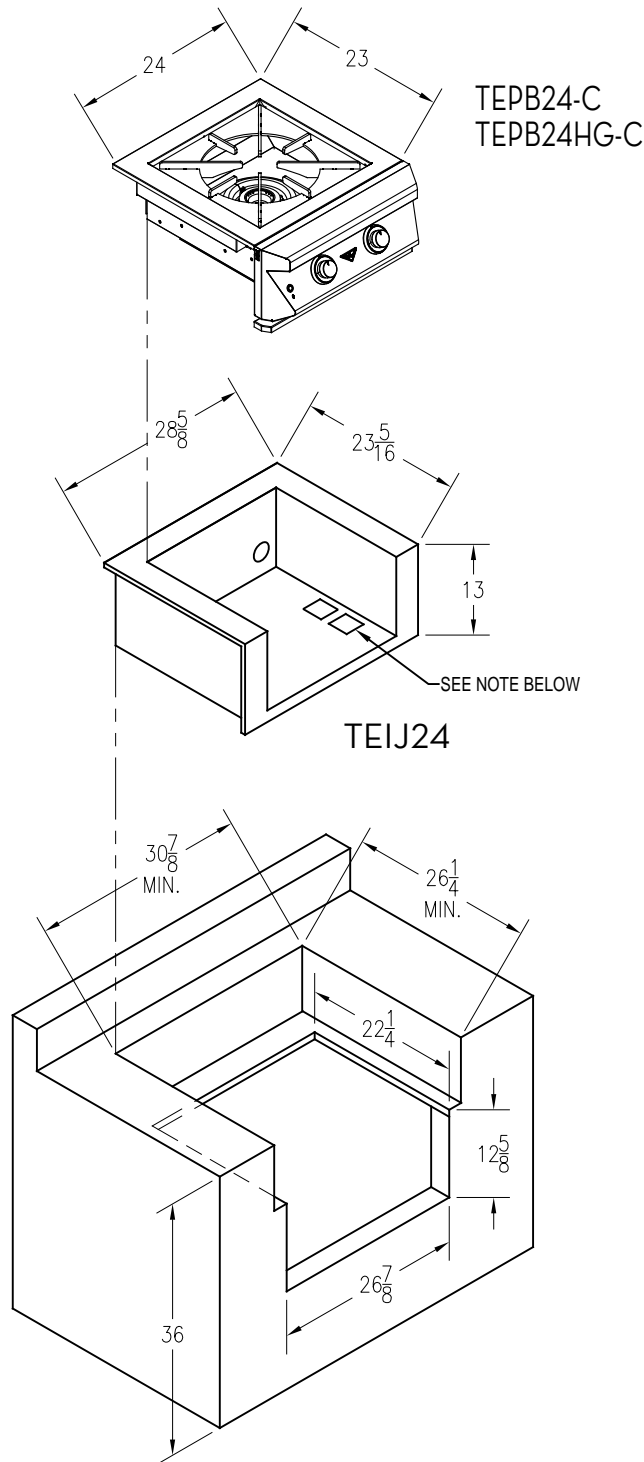


INSULATING JACKET INSTRUCTION TWIN EAGLES POWER BURNER



* When Installing, use front right knockout to keep power cord cool. If using LP gas cylinder and insulating jacket (DHIJ), use stainless flexible hose to connect LP gas cylinder to grill Regulator.

⚠ AVERTISSEMENT
 WARNING POUR LES RESIDENTS DE LA CALIFORNIE
 Cancer et Troubles de l'appareil reproducteur-
www.P65Warnings.ca.gov

⚠ WARNING
 WARNING FOR CALIFORNIA RESIDENTS
 Cancer and Reproductive Harm -
www.P65Warnings.ca.gov